

A10 Series Pilot Valve

The Humphrey **A10 Series Pilot Valve** is perfect for equipment or device makers requiring electrically controlled pneumatic signals. Available in axial or perpendicular plug-in style electrical entry in 12 or 24 volts DC, these sub-base mount, direct acting valves have a life expectancy up to 50 million cycles.

Valves feature highly saturated buna nitrile seals, an encapsulated coil affixed to a molded valve body made of PBT. Sub-base seal is retained within the valve body. Non-locking, recessed manual override is standard equipment.

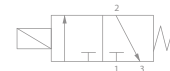
A10 Valves have excellent flow of 0.01 Cv and low 1 watt power consumption in a compact 10mm wide valve body.

All valves are registered CE, and are RoHS and REACH compliant.

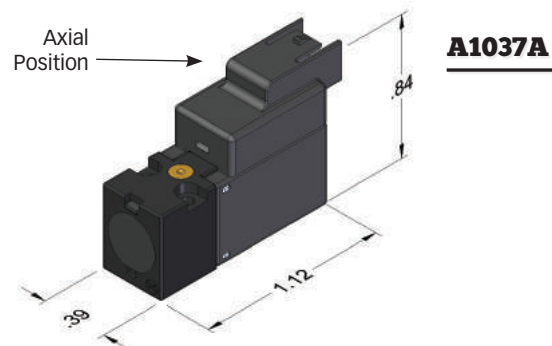
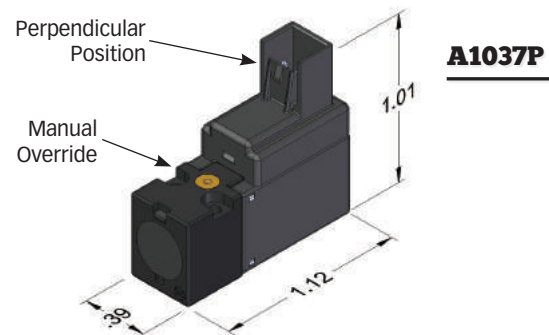
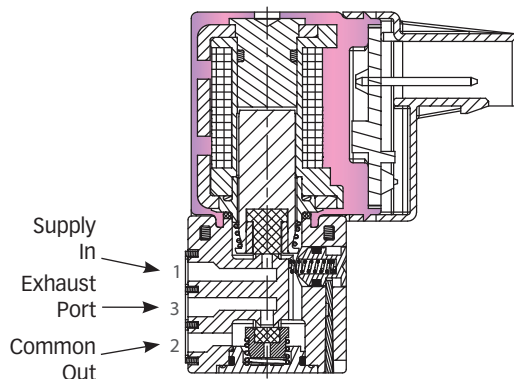


Schematics

3/2 NC



Section Drawing/ISOs with dimensions

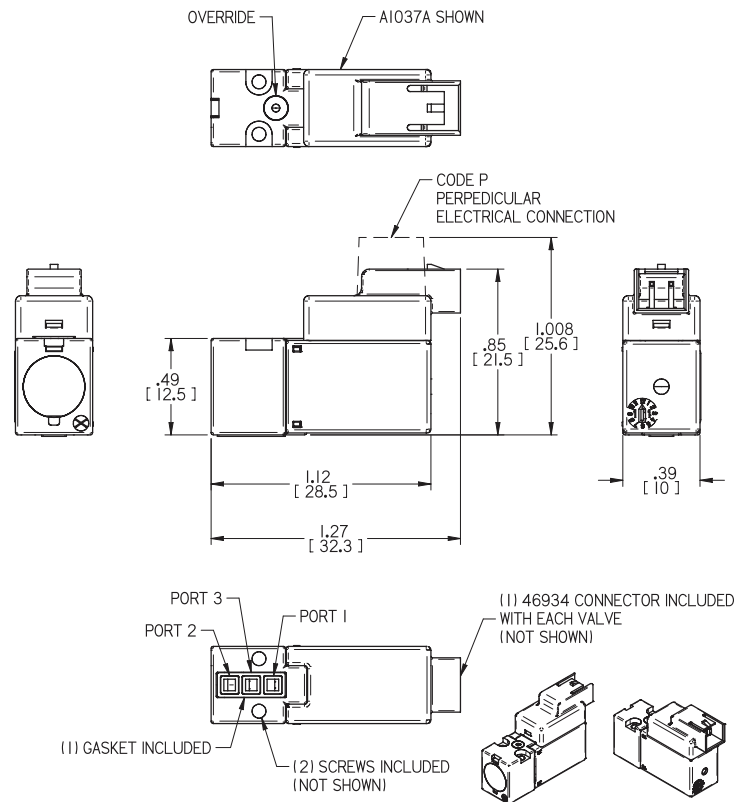


A10 Specifications

Type of Operation:	Direct Solenoid
Function:	2- and 3-Way, NC
Media:	Air or inert gas
Pressure Range:	0 ~ 100 PSIG
Temperature Range:	14° to 122° F (-10° to 50°C)
Flow – Cv:	0.01
Response Time:	ON: 10 ms OFF: 10 ms
Orifice:	Port 1 = 0.80 mm; Port 3 - 1.0mm
Lubrication:	Not required
Filtration:	DIN ISO 8573-1 CLASS 3-4-4
Weight:	10 grams
Materials:	PBT, PET, HNBR, Copper, SST
Max. Cycle Rate:	2400 cpm
Voltage tolerance:	+/- 10%
Power:	1.0 watts
Override:	Non-Locking Manual

Basic Size/Ports Dimensional

Note: Dimensions in brackets are [metric] mm.



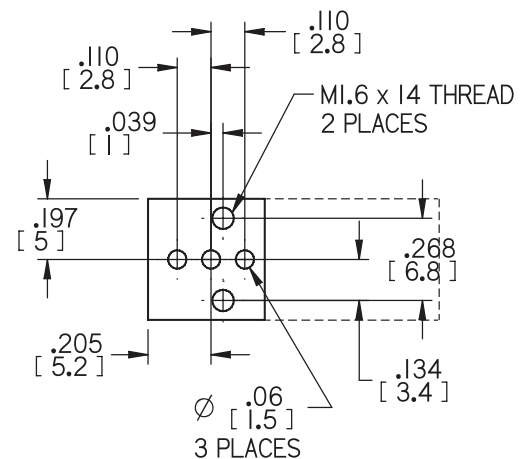
Accessory

MODEL	DESCRIPTION	NOTES
46934	Wire Connector	1 piece



Foot Print Dimensional

Note: Dimensions in brackets are [metric] mm.



HOW TO ORDER

A10 Series Pilot Valve



A10

ELECTRICAL ENTRY TYPE
Plug-In - 37

ELECTRICAL ENTRY DIRECTION
Axial - A
Perpendicular - P

VOLTAGE
12VDC
24VDC

Order Example: A1037A12VDC
A1037P24VDC